

FIRE PROTECTION: HINGED DOORS

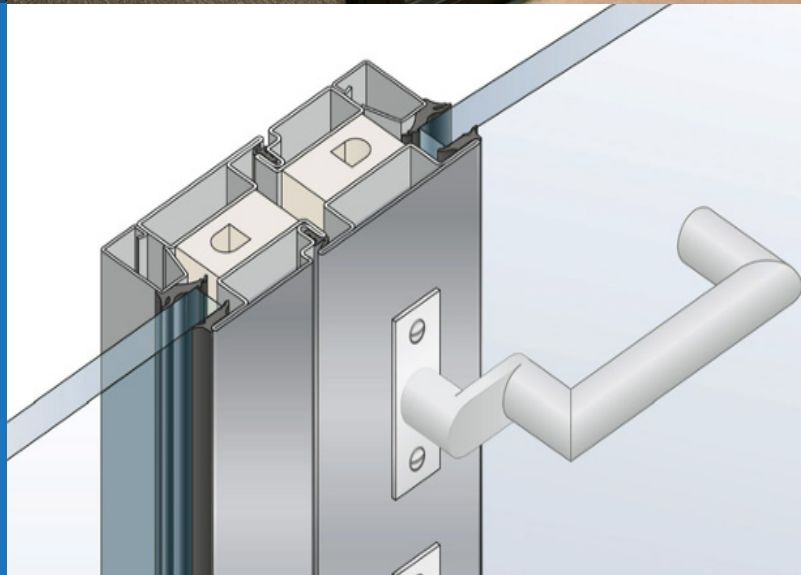
RATING: -/60/30

SYSTEM: Forster Fuego Light
Insulated Steel Framing System



Incorporating Forster fuego light steel framing system with Pilkington Pyrostop® fire rated glass, these doors have been tested and approved to AS1530.4 / AS1905.1 for fire resistance up to -/60/30 FRL.

Highly suited for applications that require resistance against the spread of fire, whilst retaining the safety and aesthetics of a fully transport glazed door. Especially suited for escape corridors and exits. Large side and top lites with unlimited runs allow for huge expanses of certified transparent fire protection.



FEATURES

- Fire resistance to -/60/30 certified to AS1530.4 / AS1905.1
- Overall leaf size single door: 2910h x 1455w
- Overall combined leaf size pair door arrangement 2910h x 2880w (available as unequal leaves)
- Forster fuego light 65 x 50 steel insulated framing system
- Class A impact rated 18mm Pilkington **Pyrostop®** glass
- Suitable for internal or external applications
- Full integration with top and side lites with FRLs of -/60/30, -/60/60, -/90/90 and -/120/120 using Forster fuego light framing system
- IGU glazed panels available to reduce sound transmission and increase energy performance
- Powdercoat or paint finish mild steel frame
- Integrated twin proprietary perimeter smoke seals on all leaves and frame
- Approved for use in a variety of wall types, including masonry walls, fire rated glass walls, and lightweight plaster walls
- Fully integrated and concealed automatic activating top shoot latch provided on inactive leaves
- Fully integrated and concealed top shoot latch provided on active leaf heights great than 2400 or 1200 wide
- Compatible with fully concealed electronic strike
- Slimline vertical and horizontal internal rails available
- Full integration with Forster thermfix vario fire rated curtain wall system



ADDITIONAL FEATURES

- Shapes available include curves/circles/angles/chamfers
- Optional concealed drop seals available
- Suitable for use with Forster push bar hardware
- 304 grade Stainless Steel available
- Upgrade to 23mm or 27mm low Iron Pilkington **Pyrostop**[®]
- Optional fully concealed hinges (max 110 degrees opening)
- Available as a -/60/30 Sliding door option in singles and pairs (contact TPS for assistance)
- Optional pivot doors (contact TPS for assistance)
- Smoke only (non-fire rated) doors to DIN 18905 available (contact TPS for assistance)
- DWG and DXF drawings, along with full architectural specification and drawing support is available from TPS upon request

TECHNICAL DATA

FRL	Configuration	max leaf height	max leaf width	Glass thickness	Glass Type	External rated	Ug (W/m2K)	SHGC (glass only)
-/60/30	Single	2910mm	1455mm	18mm	Pilkington Pyrostop [®] PS30-20	Yes	5.0	0.71
-/60/30	Pair	2910mm	2880mm	18mm	Pilkington Pyrostop [®] PS30-20	Yes	5.0	0.71

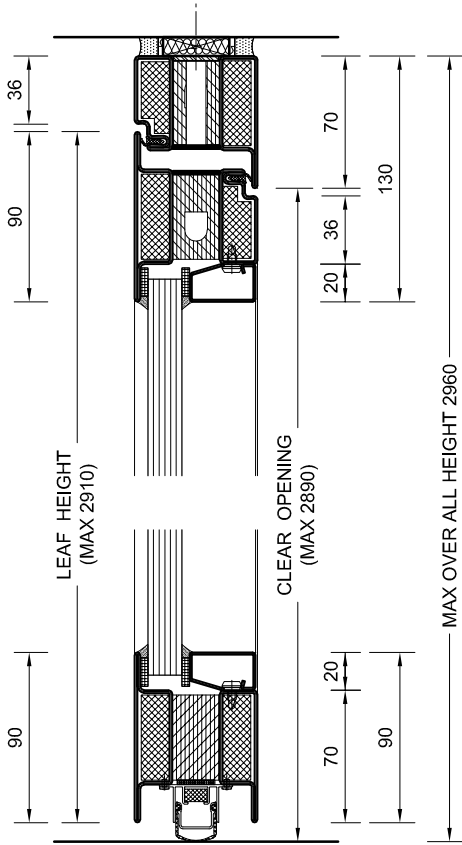
HOW TO SPECIFY

Door assembly to be tested and certified TPS -/60/30 Glazed Fire Door incorporating insulated Forster fuego light insulated steel frame with 18mm Pilkington **Pyrostop**[®] fire rated glazing, including integrated twin perimeter smoke seals. Doors available from Technical Protection Systems approved distribution network.

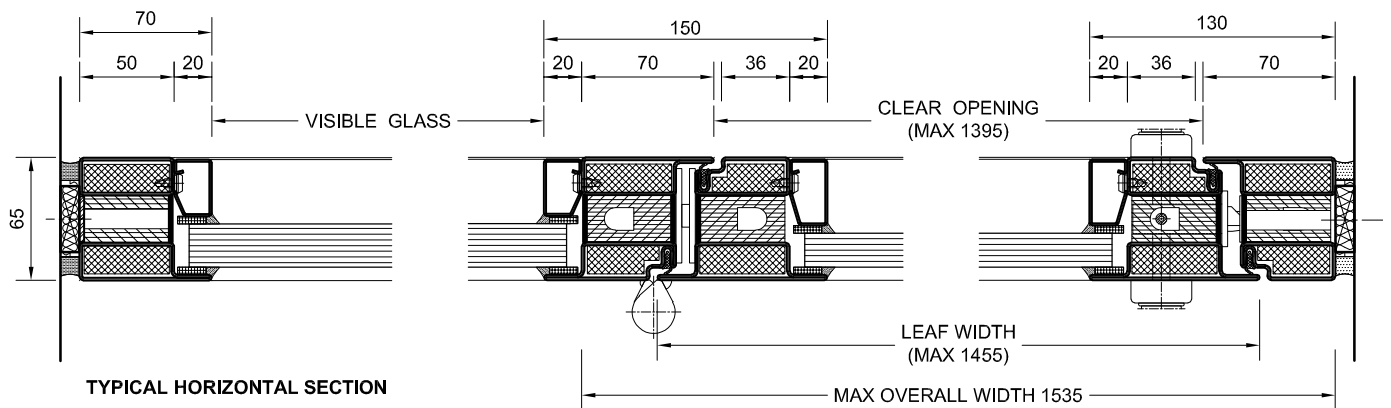
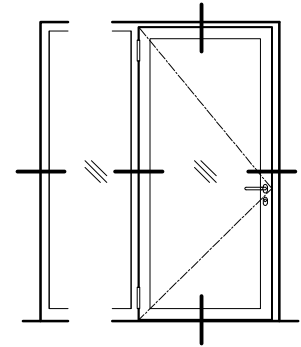
Contact Technical Protection Systems Pty Ltd for further information:

W technicalprotection.com.au P 03 9720 1930 E info@technicalprotection.com.au

SINGLE DOOR LEAF

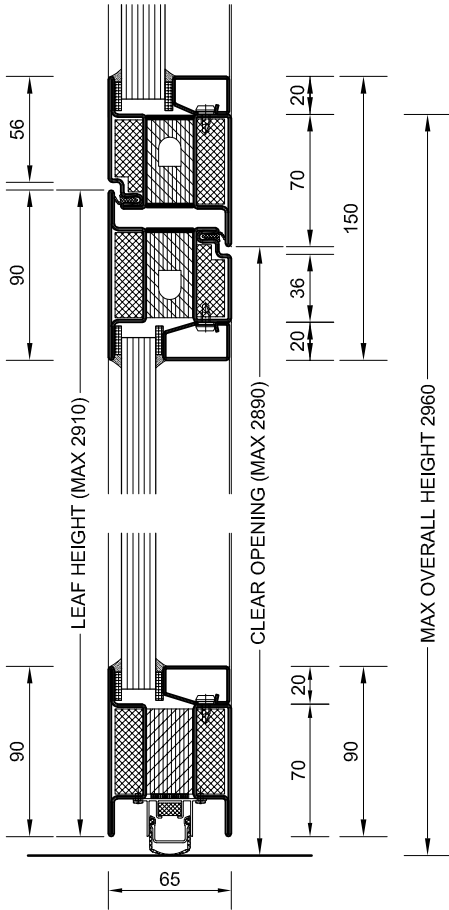


TYPICAL VERTICAL SECTION

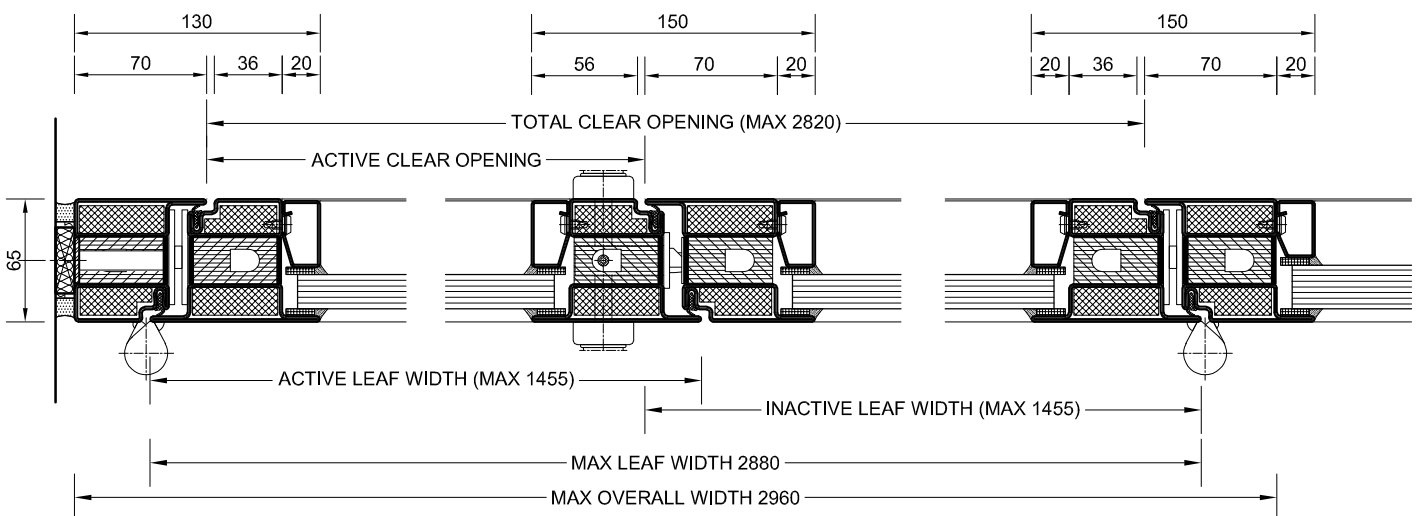
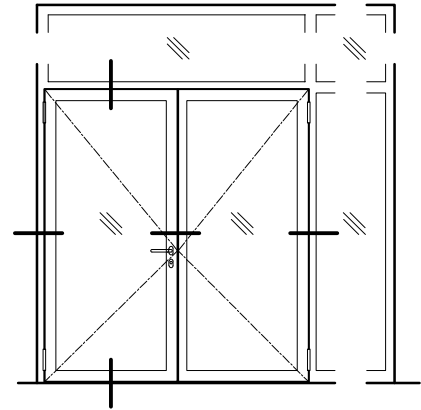


TYPICAL HORIZONTAL SECTION

DOUBLE DOOR LEAF

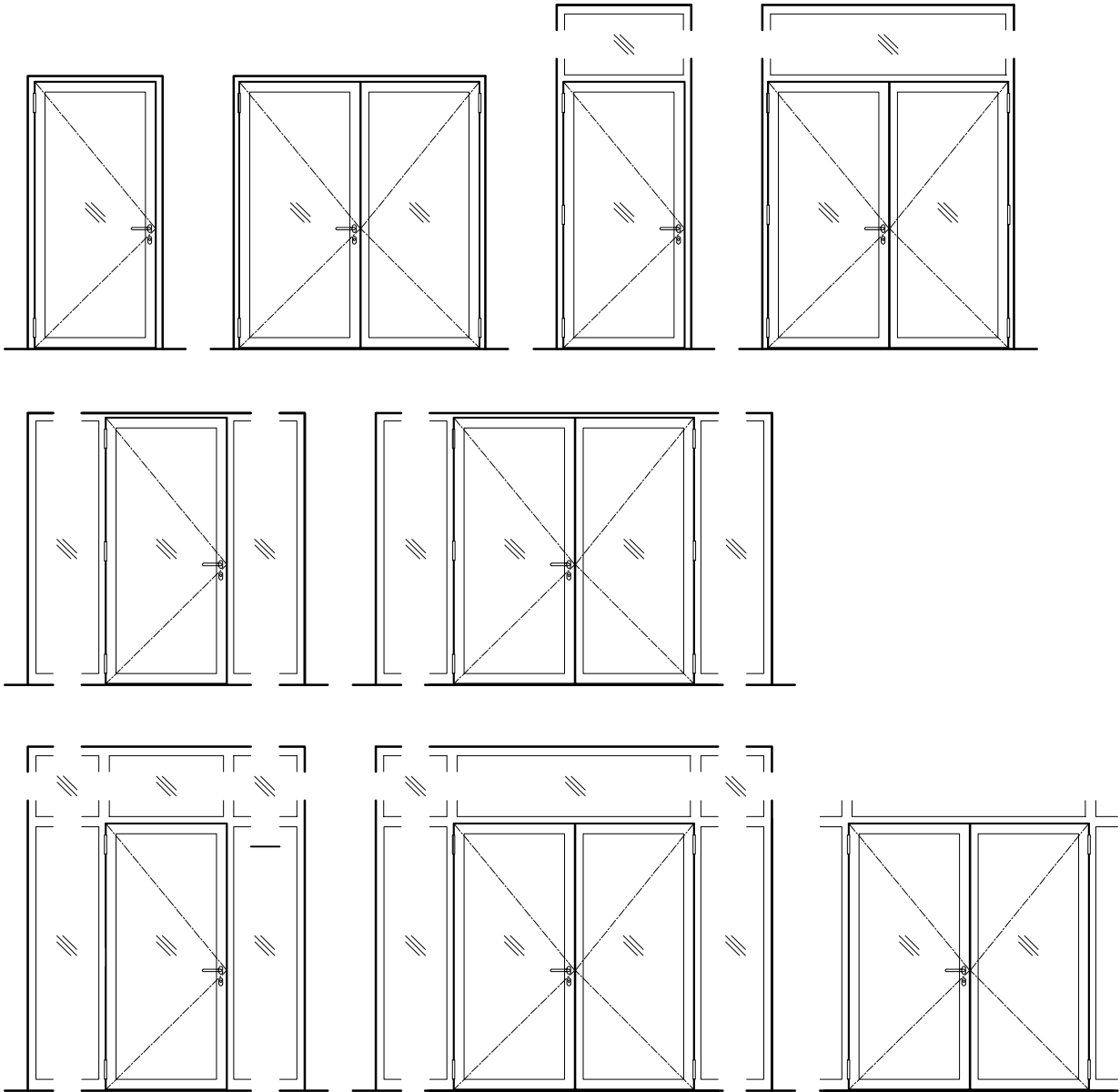


TYPICAL VERTICAL SECTION



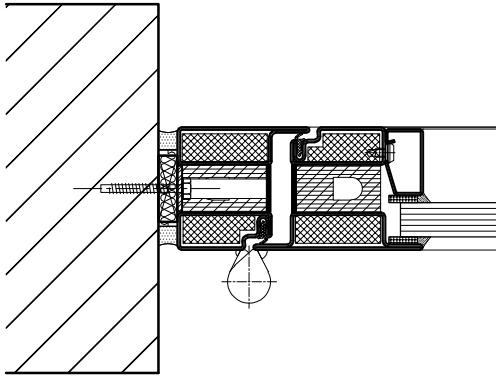
TYPICAL HORIZONTAL SECTION

TYPICAL CONFIGURATIONS

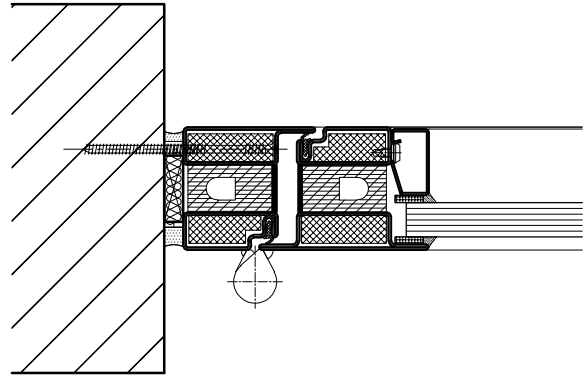




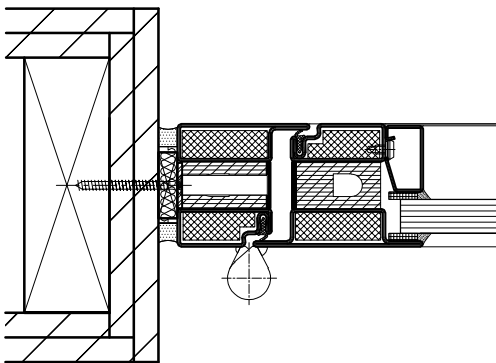
WALL ABUTMENTS



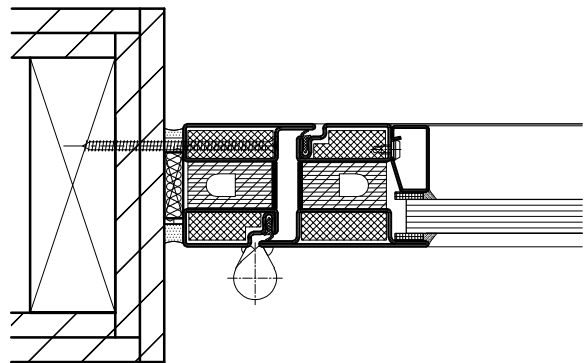
MASONRY WALL



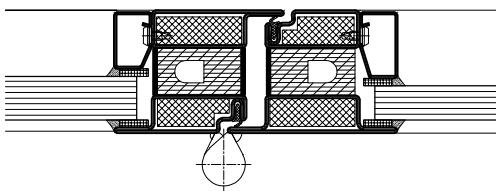
MASONRY WALL



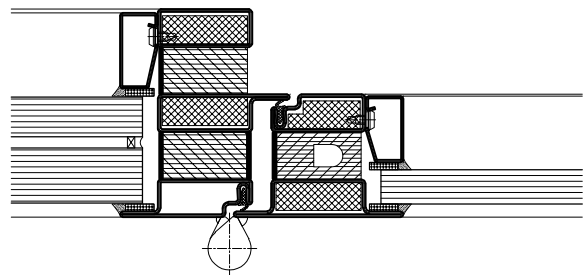
LIGHTWEIGHT FRAME WALL



LIGHTWEIGHT FRAME WALL



FRL -/60/60 GLAZED WALL



FRL -/90/90 GLAZED WALL
FRL -/120/120 GLAZED WALL