

SMOKE PROTECTION: HINGED DOORS AND WINDOWS

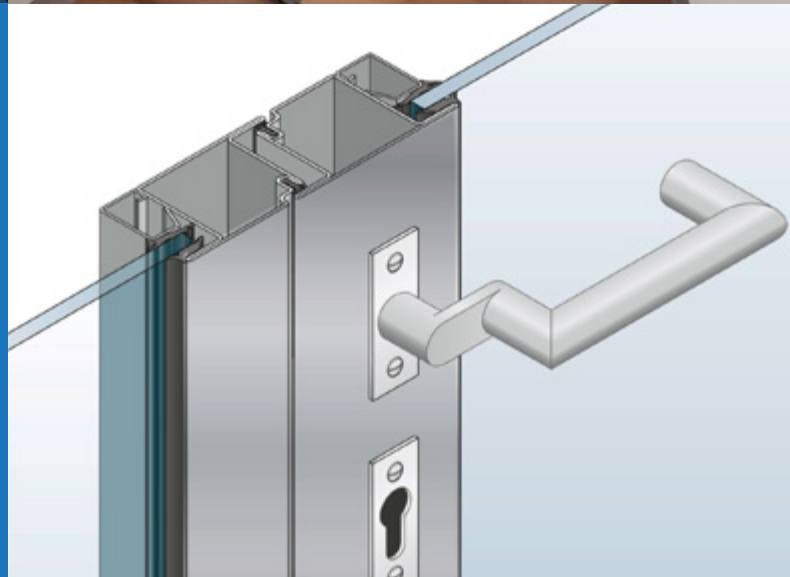
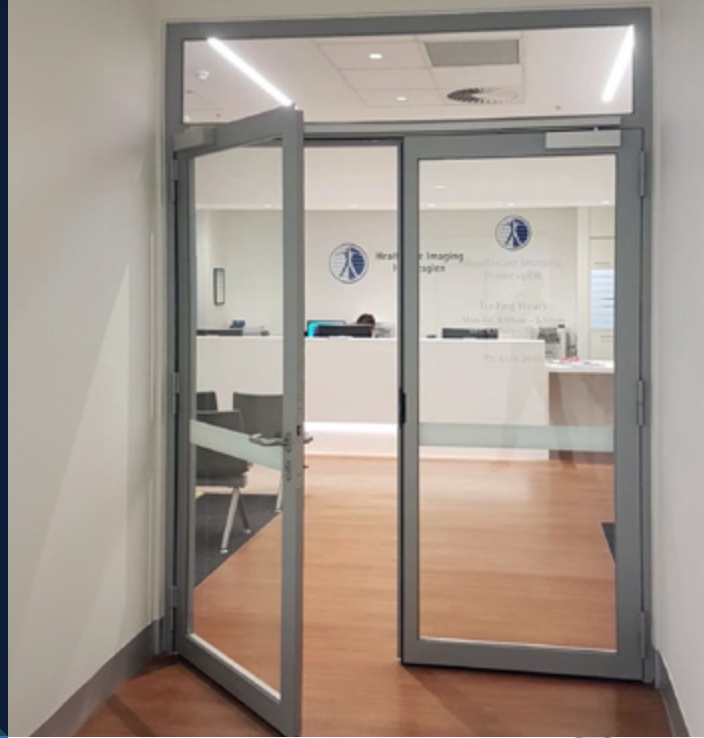
RATING: C5S, EN 13501-2

SYSTEM: Forster Presto



Incorporating Forster Presto steel framing system with a toughened glass infill, these doors have been tested to 1634-3, and approved to EN13501-2 class C5S for smoke resistance

Highly suited for applications that require tested and proven resistance against the spread of smoke, especially where a greater level of confidence is required compared to commonly found untested smoke door systems. Especially suited for escape corridors where no fire protection is required.



FEATURES

- Smoke resistant doors and fixed panes according to EN13501-2 Class C5S
- Tested to ambient and 200 degrees C
- Exceeds the requirements of the BCA for smoke doors
- Single doors, pair doors, fixed panels, top and side panels.
- Forster Presto 50 x 50 Steel non-insulated framing system
- Class A impact rated toughened glass infill
- Large door sizes available
- Integrated twin proprietary seals on all leaves and frame
- Fully concealed drop seals on all leaves
- Paint or Powdercoat for mild steel frame
- 304 grade Stainless Steel available
- Open inwards or open outwards configuration
- Optional fully concealed hinges and closers available
- IGU panels available to reduce sound transmission
- Minimum 3 hinges per door
- Proprietary Forster lock and door furniture
- DWG and architectural support available – contact TPS for assistance.
- /60/30 fire rated hinged and sliding door systems available - contact TPS for assistance
- Full glass data available from technicalprotection.com.au



TECHNICAL DATA

| Configuration | Max leaf height | Max leaf width | Ambient max leakage at 25Pa | Ambient max leakage at 50Pa | 200 degrees Celcius max leakage at 50Pa |
|---------------|-----------------|----------------|-----------------------------|-----------------------------|---|
| Single door | 2935 | 1460 | <1m3/hr | <12m3/hr | <11m3/hr |
| Pair door | 2935 | 2955 (total) | <1m3/hr | <12m3/hr | 4.32 |

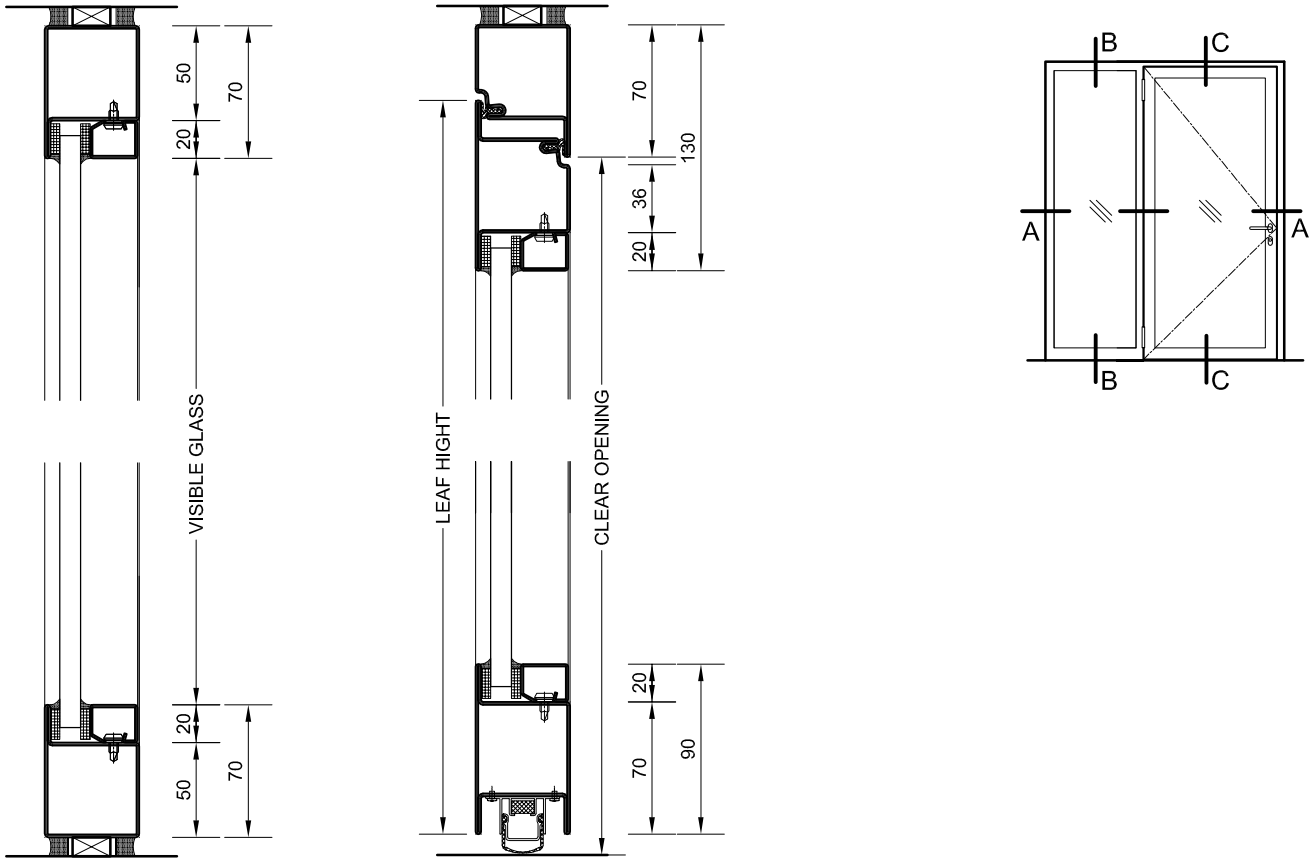
HOW TO SPECIFY

Door assembly to be tested and certified TPS smoke door incorporating non insulated Forster Presto steel frame with (“insert glass specification here according to building certifier’s requirements”), including integrated twin perimeter smoke seals, drop seals, minimum 3 hinges per leaf, and all proprietary door hardware and furniture. Doors available from Technical Protection Systems approved distribution network.

Contact Technical Protection Systems Pty Ltd for further information.

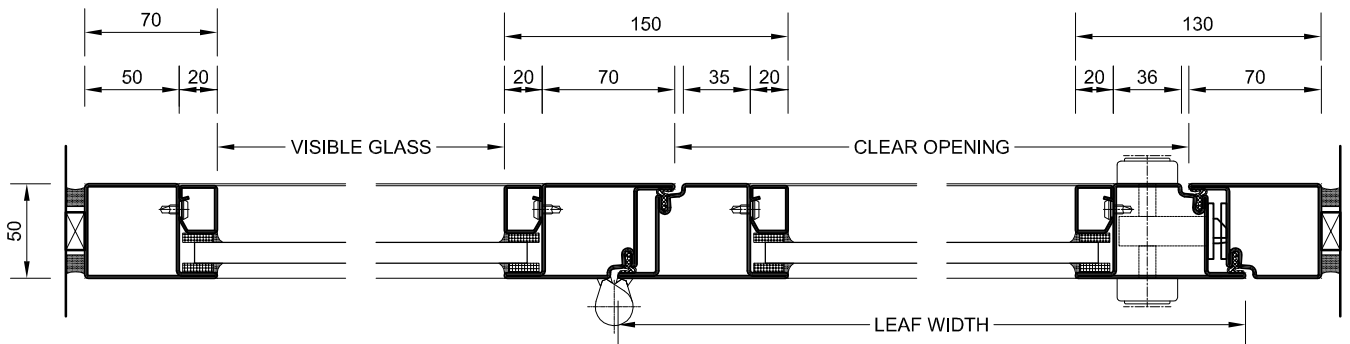
W technicalprotection.com.au P 03 9720 1930 E info@technicalprotection.com.au

SMOKE DOOR SINGLE LEAF



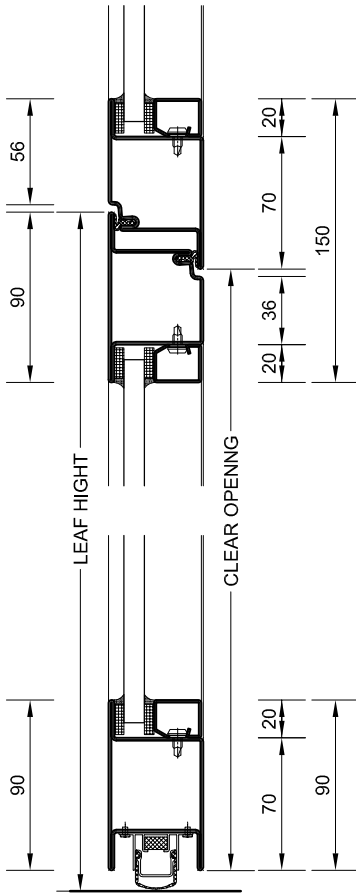
TYPICAL VERTICAL SECTION B - B

TYPICAL VERTICAL SECTION C - C

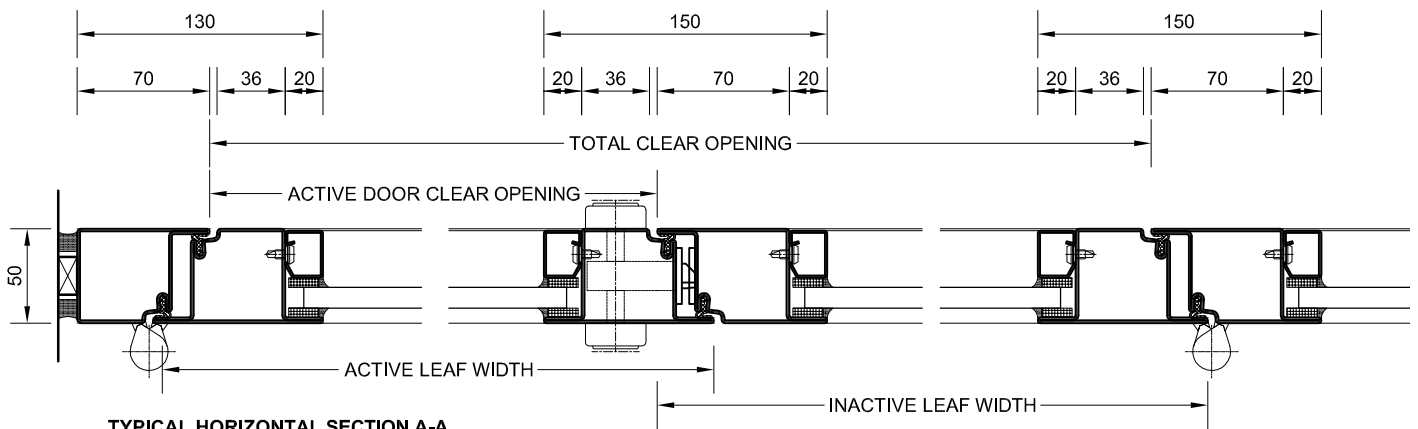
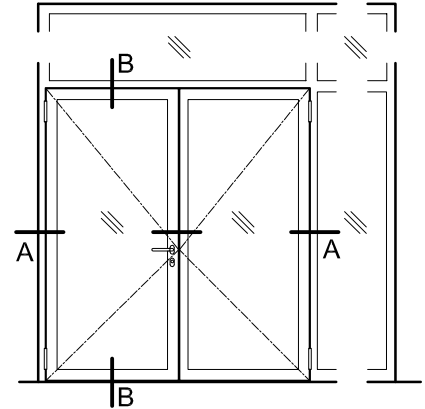


TYPICAL HORIZONTAL SECTION A - A

SMOKE DOOR DOUBLE LEAF

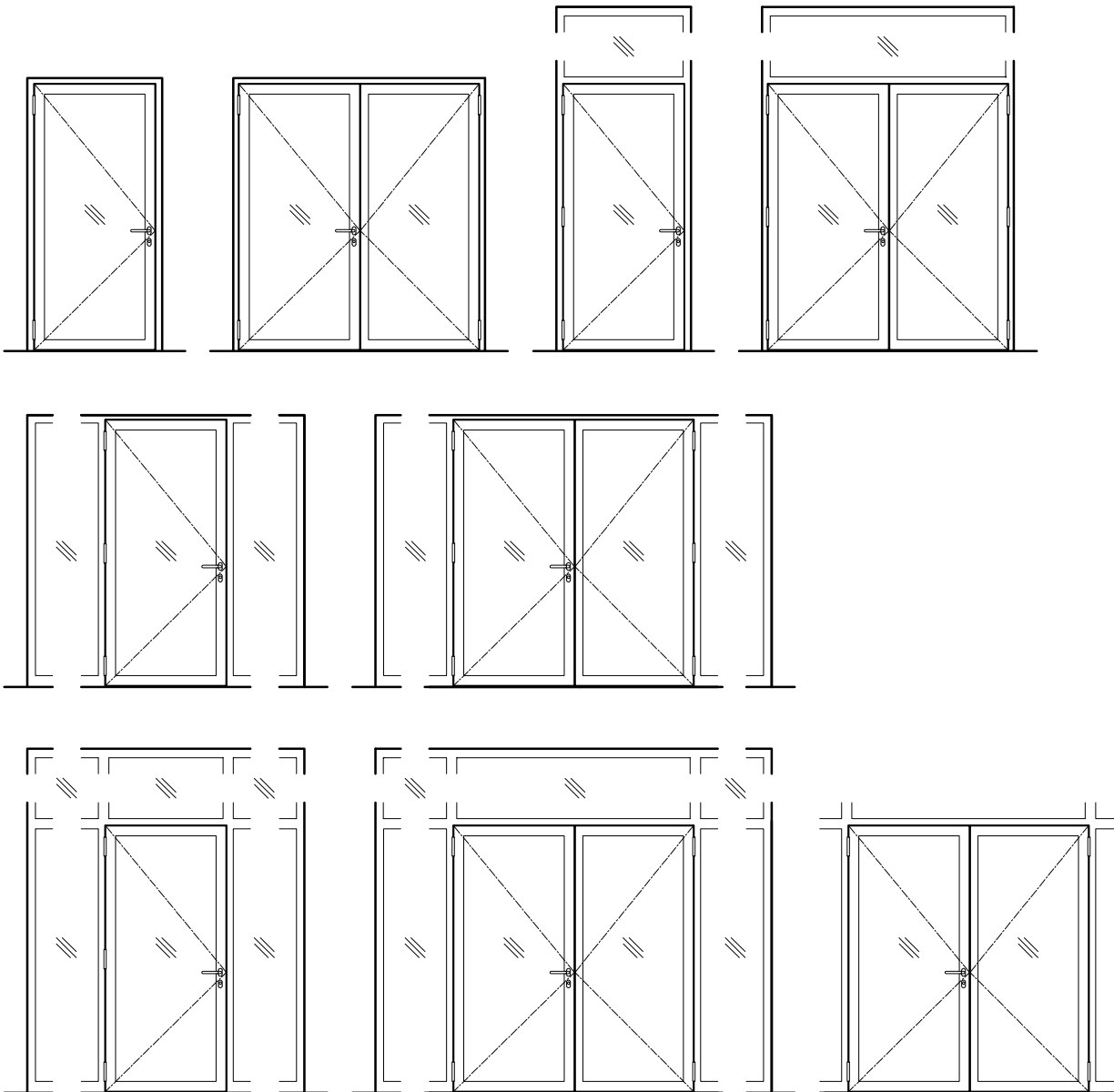


TYPICAL VERTICAL SECTION B-B

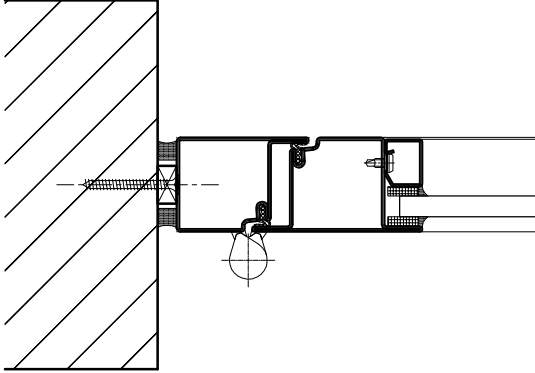


TYPICAL HORIZONTAL SECTION A-A

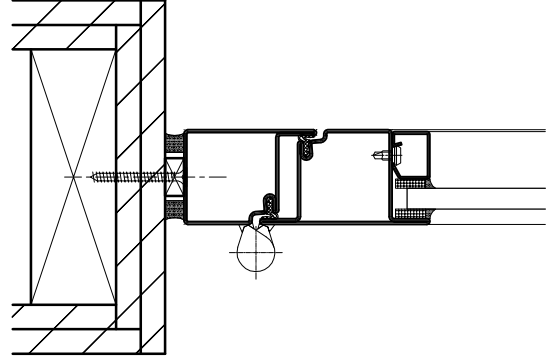
TYPICAL CONFIGURATIONS



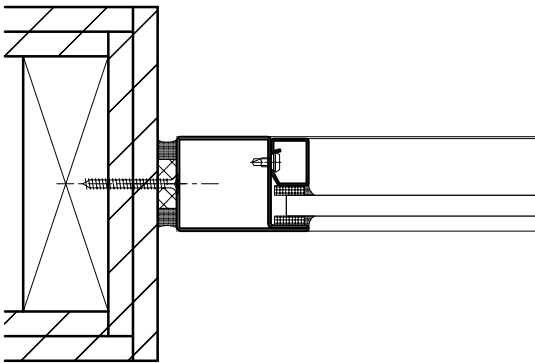
TYPICAL WALL ABUTMENTS



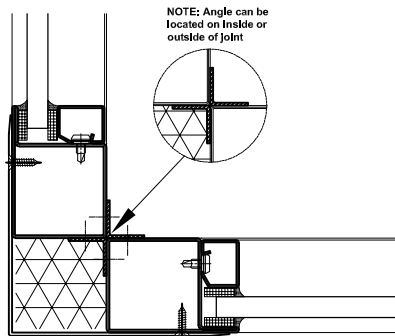
MASONRY WALL



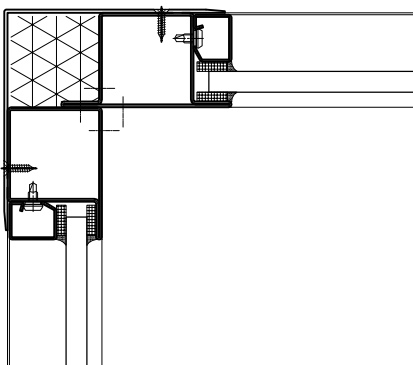
LIGHT WEIGHT FRAME WALL



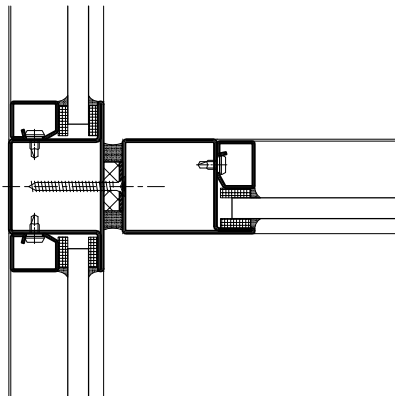
LIGHTWEIGHT FRAME WALL (FIXED PANEL)



TYPICAL (90°) CORNER



TYPICAL (90°) CORNER



TYPICAL PERPENDICULAR JUNCTION