

# FIRE PROTECTION: WINDOWS

**SYSTEM:** Fire Rated Timber Framing System

**RATING:** -/60/30



Incorporating a fire rated hardwood framing system combined with Pilkington Pyrostop® fire rated glass, these windows achieve a rating of -/60/30 FRL to AS1530.4

Suitable for applications that require windows to provide protection against the spread of flames for 60 minutes, but where protection of occupants and the spread of fire due to thermal heat is not required beyond 30 minutes. Especially suitable for windows in fire walls of commercial and residential buildings, or any application where partial protection against radiant and thermal heat exposure is required.



## FEATURES

- Fire resistance to -/60/30
- Fixed windows up to 2900 x 1300 for each lite (approx)
- Single and multi-panel applications - unlimited continuous length
- Fire rated hardwood framing system
- Suitable for internal or external application
- Double glazing available for improved energy/shading performance
- Suitable for painting or clear coat finishing
- Pilkington **Pyrostop**® Grade A impact rated to AS2208
- Curved heads, angles, circles available
- Steel frames available with -/60/-, -/60/30, -/90/90 and -/120/120 ratings (contact TPS for more information)
- Full DWG drawings and architectural support available (please contact TPS for assistance)
- Continuous curtain walls possible using Forster Thermfix Vario fire rated curtain wall system
- Full glass data available from [technicalprotection.com.au](http://technicalprotection.com.au)



## TECHNICAL DATA

Glass	Thickness	FRL	Application	Max visible glass dim (mm)	Max glass pane area (m2)	Light transmission	Ug (W/m2K)	SHGC	Rw (C;Ctr) dB	Weight (Kg/m2)
Pilkington <b>Pyrostop</b> <sup>®</sup> PS30-20	18mm	-/60/30	Internal / external	2806	3.74	87%	5.0	0.71	38 (0; -2)	42

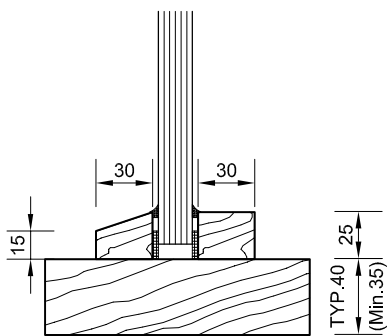
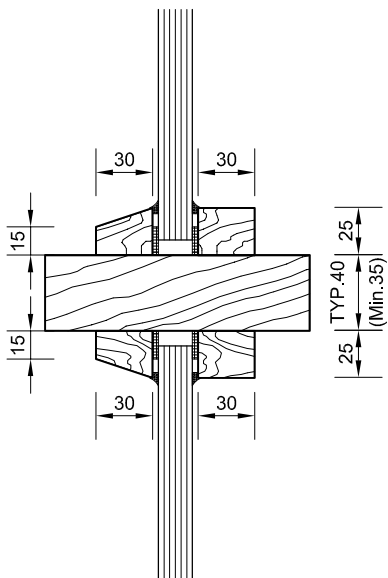
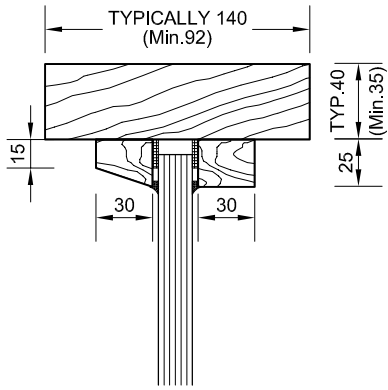
## HOW TO SPECIFY

Fire rated glazing to be fully certified TPS -/60/30 to AS1530.4 timber fire rated window incorporating 18mm Pilkington **Pyrostop**<sup>®</sup> multi-laminate fire resistant intumescent glazing (or IGU as specified), available via Technical Protection Systems approved distribution network.

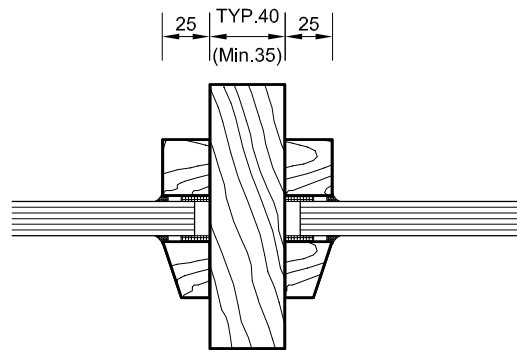
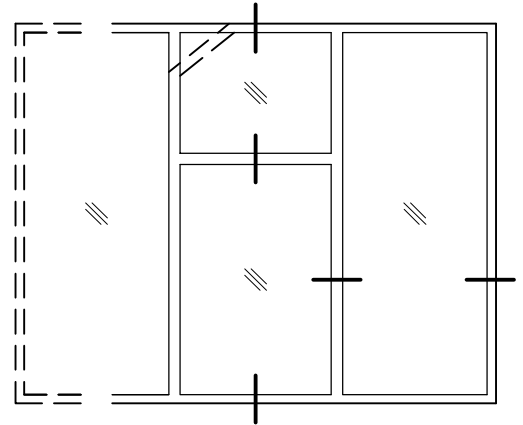
Contact Technical Protection Systems Pty Ltd for further information.

W [technicalprotection.com.au](http://technicalprotection.com.au) P 03 9720 1930 E [info@technicalprotection.com.au](mailto:info@technicalprotection.com.au)

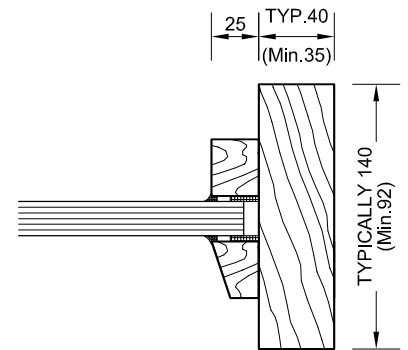
## TYPICAL SECTIONS



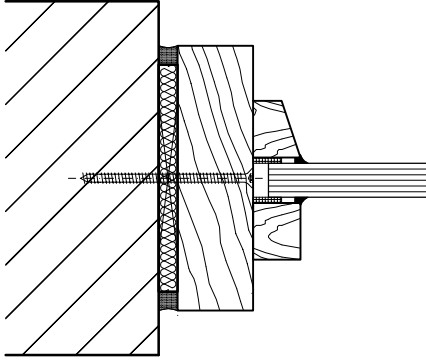
TYPICAL VERTICAL SECTION



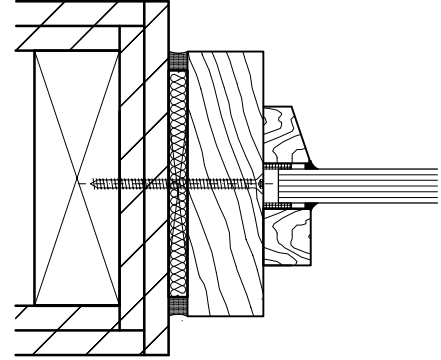
TYPICAL HORIZONTAL SECTION



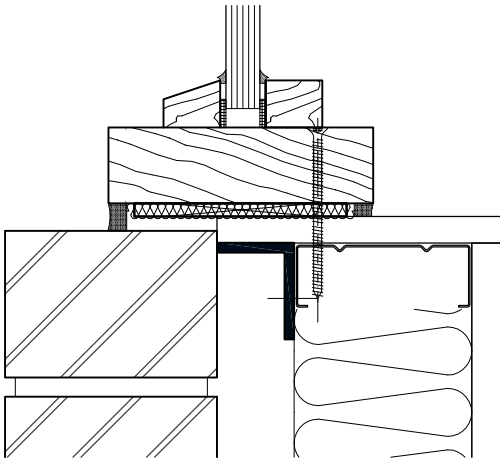
## TYPICAL WALL ABUTMENTS & GLAZING OPTIONS



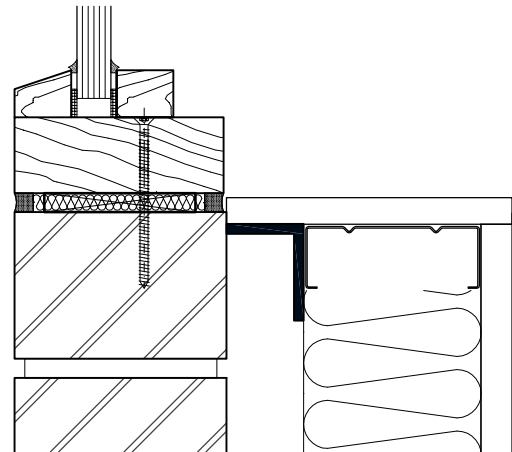
MASONRY WALL



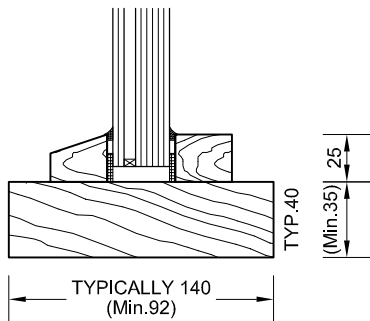
LIGHT WEIGHT FRAME WALL



BRICK VENEER WITH FIRE RATED PLASTER



BRICK VENEER



TYPICAL DOUBLE GLAZED