

# FIRE PROTECTION: WINDOWS

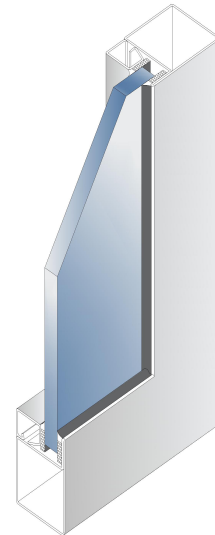
**RATING:** -/60/-

**SYSTEM:** Forster Presto non-insulated Steel Framing System



**Incorporating the Forster Presto non-insulated Steel Framing system combined with Pilkington Pyrodur® fire rated glass, these windows achieve a rating of -/60/-FRL to AS15.30.4**

Suitable for applications that require windows to provide protection against the spread of flames for 60 minutes, but where protection of occupants and the spread of fire due to thermal heat is not required. Suitable for windows in external fire walls of commercial and residential buildings, or any application where protection against radiant and thermal heat exposure is not required.



## FEATURES

- Fire resistance to -/60/-
- Fixed windows up to 3000h x 1500w for each lite (larger sizes possible on request)
- Single and multi-panel applications - unlimited continuous length
- Forster Presto 50 x 50 non-insulated steel framing system
- Suitable for internal or external application
- Double glazing available for improved energy/shading performance (WERs energy rating available)
- Available in powdercoat, paint finish, or hot dipped galvanised.
- 304 grade stainless steel available on request
- Easily integrated with TPS -/60/30 glazed fire doors
- Pilkington **Pyrodur®** Grade A impact rated to AS2208
- Curved heads, angles, circles available
- Also available as -/60/30, -/60/60, -/90/90 and -/120/120 (contact TPS for more information)
- Full DWG drawings and architectural support available (please contact TPS for assistance)
- Continuous curtain walls possible using Forster Thermfix Vario fire rated curtain wall system
- Full glass data available from [technicalprotection.com.au](http://technicalprotection.com.au)



## TECHNICAL DATA

Glass type	Thickness (mm)	FRL	Application	Max visible glass dim (mm) H	Max visible glass dim (mm) W	Light Trans.	Ug (W/m2K)	SHGCg	Rw (C;Ctr) dB	Weight (Kg/m2)
13mm Pilkington Pyrodur® PS60-20	13mm	-/60/-	Internal / External	2920	1490	87%	5.32	0.73	38 (-1; -2)	33.8
6.38mm Clr Lam / 6mm air / 13mm Pilkington Pyrodur® PS60-20	25mm	-/60/-	Internal / External	2920	1490	77%	2.9	0.65	38 (-1; -4)	47.4
6mm Clr T / 6mm air / 13mm Pilkington Pyrodur® PS60-20	25mm	-/60/-	Internal / External	2920	1490	77%	2.9	0.65	38 (-1; -4)	47.4
6mm EnergyTech Clr T / 6mm air / 13mm Pilkington Pyrodur® PS60-20	25mm	-/60/-	Internal / External	2920	1490	72%	2.4	0.59	38 (-1; -4)	47.4
6mm EnergyTech Grey T / 6mm air / 13mm Pilkington Pyrodur® PS60-20	25mm	-/60/-	Internal / External	2920	1490	35%	2.4	0.39	38 (-1; -4)	47.4

\* Performance values are glass only, NFRC 100-2010. WERS window data available on request.

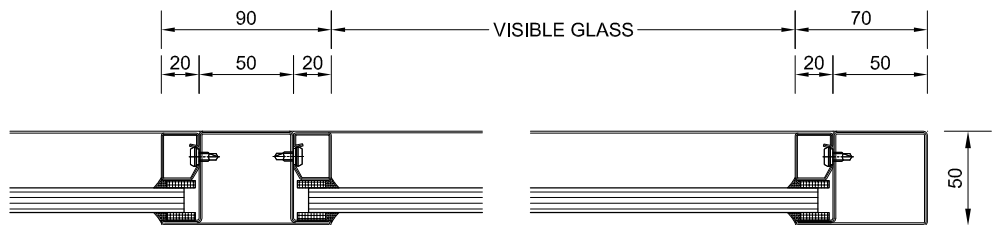
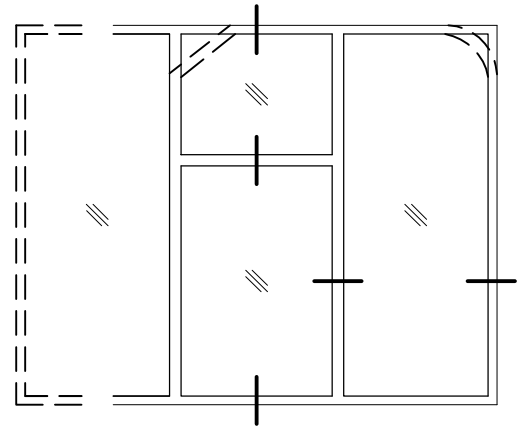
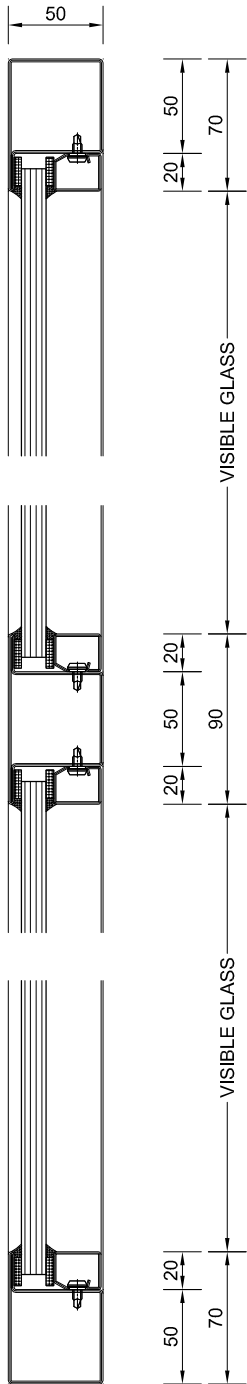
## HOW TO SPECIFY

Fire rated glazing to be fully certified TPS -/60/- fire rated window incorporating 13mm Pilkington Pyrodur® multi-laminate fire resistant intumescent glazing (or IGU as specified) with Forster Presto non-insulated steel framing system, available via Technical Protection Systems approved distribution network.

Contact Technical Protection Systems Pty Ltd for further information:

W [technicalprotection.com.au](http://technicalprotection.com.au) P 03 9720 1930 E [info@technicalprotection.com.au](mailto:info@technicalprotection.com.au)

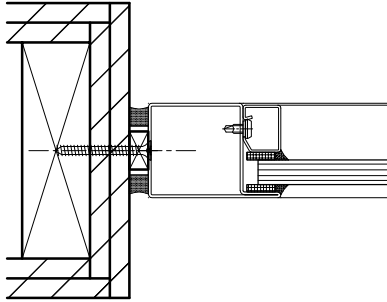
## TYPICAL SECTIONS



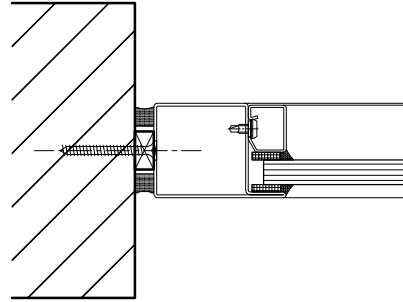
TYPICAL VERTICAL SECTION

TYPICAL HORIZONTAL SECTION

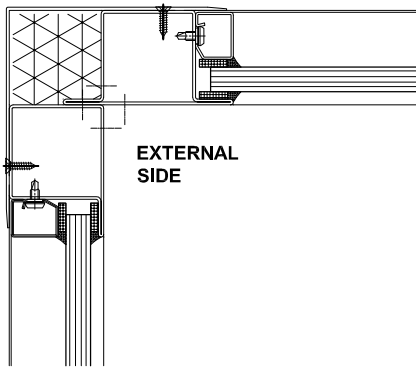
## TYPICAL WALL ABUTMENTS & GLAZING OPTIONS



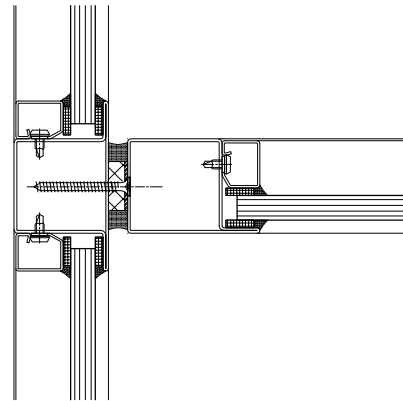
LIGHTWEIGHT FRAME WALL (FIXED PANEL)



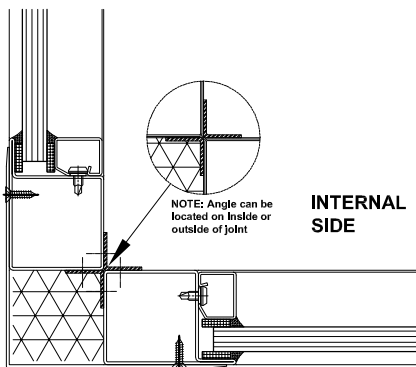
MASONRY WALL



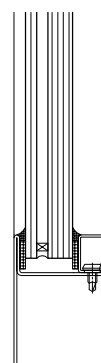
TYPICAL (90°) CORNER



TYPICAL PERPENDICULAR JUNCTION

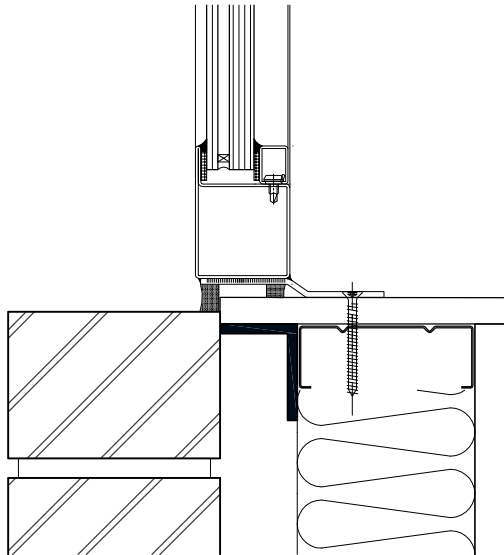


TYPICAL (90°) CORNER

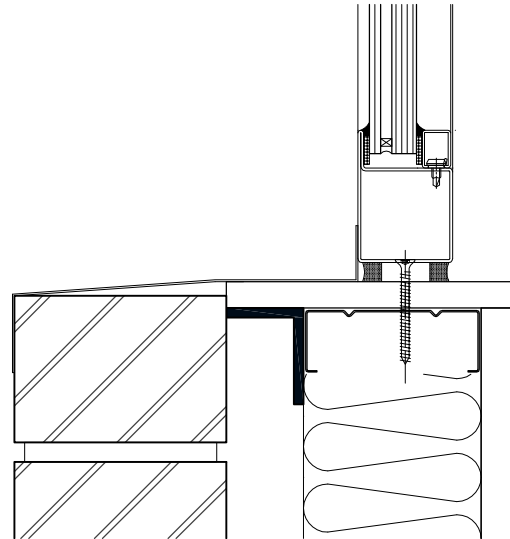


25mm (6/6air/13) IGU  
INTERNAL / EXTERNAL USE

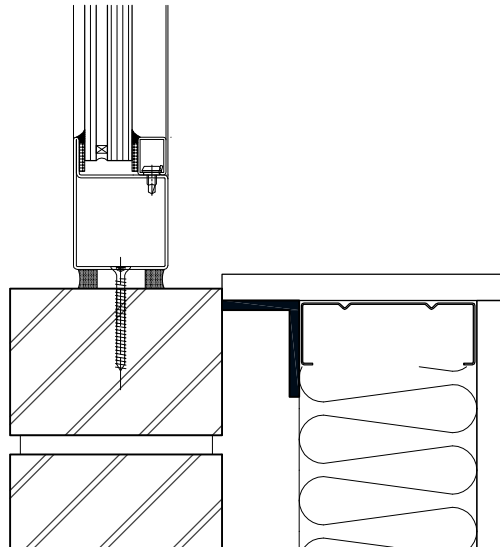
## TYPICAL WALL ABUTMENTS



**Brick Veneer with fire rated plaster**



**Brick Veneer with fire rated plaster**



**Brick Veneer**