

# FIRE PROTECTION: HINGED DOORS

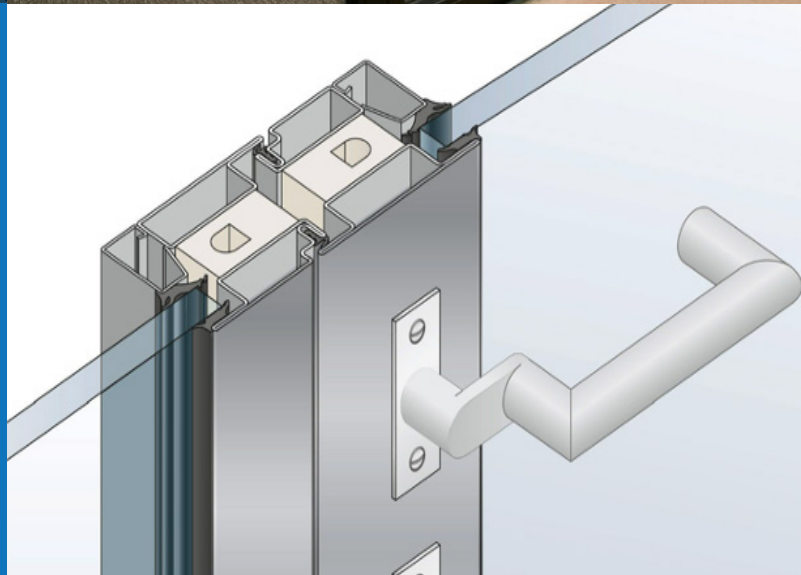
**RATING:** -/60/30

**SYSTEM:** Forster Fuego Light  
Insulated Steel Framing System



Incorporating Forster fuego light steel framing system with Pilkington Pyrostop® fire rated glass, these doors have been tested and approved to AS1530.4 / AS1905.1 for fire resistance up to -/60/30 FRL.

Highly suited for applications that require resistance against the spread of fire, whilst retaining the safety and aesthetics of a fully transparent glazed door. Especially suited for escape corridors and exits. Large side and top lites with unlimited runs allow for huge expanses of certified transparent fire protection.



## FEATURES

- Fire resistance to -/60/30 certified to AS1530.4 / AS1905.1
- Overall leaf size single door: 2910h x 1455w
- Overall combined leaf size pair door arrangement 2910h x 2880w (available as unequal leaves)
- Forster fuego light 65 x 50 steel insulated framing system
- Class A impact rated 18mm Pilkington **Pyrostop**® glass
- Suitable for internal or external applications
- Full integration with top and side lites with FRLs of -/60/30, -/60/60, -/90/90 and -/120/120 using Forster fuego light framing system
- IGU glazed panels available to reduce sound transmission and increase energy performance
- Powdercoat or paint finish mild steel frame
- Integrated twin proprietary perimeter smoke seals on all leaves and frame
- Approved for use in a variety of wall types, including masonry walls, fire rated glass walls, and lightweight plaster walls
- Fully integrated and concealed automatic activating top shoot latch provided on inactive leaves
- Fully integrated and concealed top shoot latch provided on active leaf heights greater than 2400 or 1200 wide
- Compatible with fully concealed electronic strike
- Slimline vertical and horizontal internal rails available
- Full integration with Forster thermfix vario fire rated curtain wall system



## ADDITIONAL FEATURES

- Shapes available include curves/circles/angles/chamfers
- Optional concealed drop seals available
- Suitable for use with Forster push bar hardware
- 304 grade Stainless Steel available
- Upgrade to 23mm or 27mm low Iron Pilkington **Pyrostop**<sup>®</sup>
- Optional fully concealed hinges (max 110 degrees opening)
- Available as a -/60/30 Sliding door option in singles and pairs (contact TPS for assistance)
- Optional pivot doors (contact TPS for assistance)
- Smoke only (non-fire rated) doors to DIN 18905 available (contact TPS for assistance)
- DWG and DXF drawings, along with full architectural specification and drawing support is available from TPS upon request

## TECHNICAL DATA

FRL	Configuration	max leaf height	max leaf width	Glass thickness	Glass Type	External rated	Ug (W/m2K)	SHGC (glass only)
-/60/30	Single	2910mm	1455mm	18mm	Pilkington <b>Pyrostop</b> <sup>®</sup> PS30-20	Yes	5.0	0.71
-/60/30	Pair	2910mm	2880mm	18mm	Pilkington <b>Pyrostop</b> <sup>®</sup> PS30-20	Yes	5.0	0.71

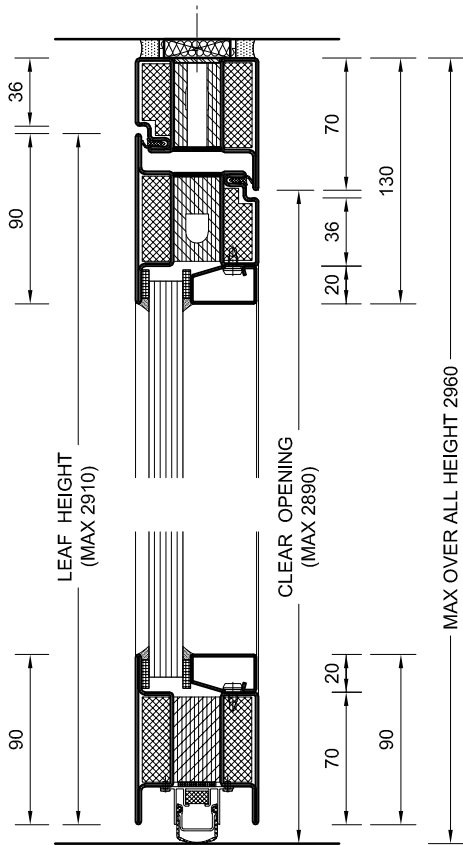
## HOW TO SPECIFY

Door assembly to be tested and certified TPS -/60/30 Glazed Fire Door incorporating insulated Forster fuego light insulated steel frame with 18mm Pilkington **Pyrostop**<sup>®</sup> fire rated glazing, including integrated twin perimeter smoke seals. Doors available from Technical Protection Systems approved distribution network.

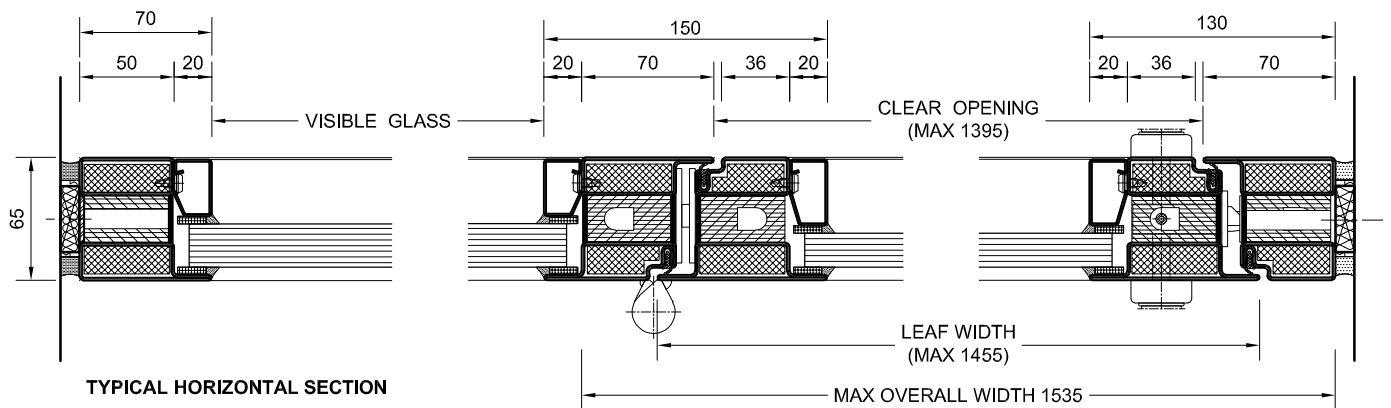
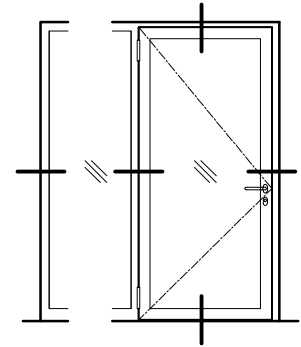
Contact Technical Protection Systems Pty Ltd for further information:

W [technicalprotection.com.au](http://technicalprotection.com.au) P 03 9720 1930 E [info@technicalprotection.com.au](mailto:info@technicalprotection.com.au)

## SINGLE DOOR LEAF

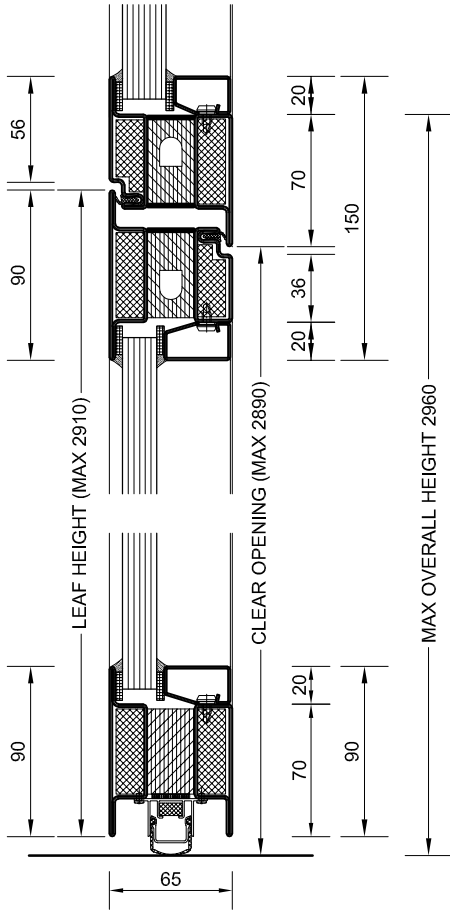


TYPICAL VERTICAL SECTION

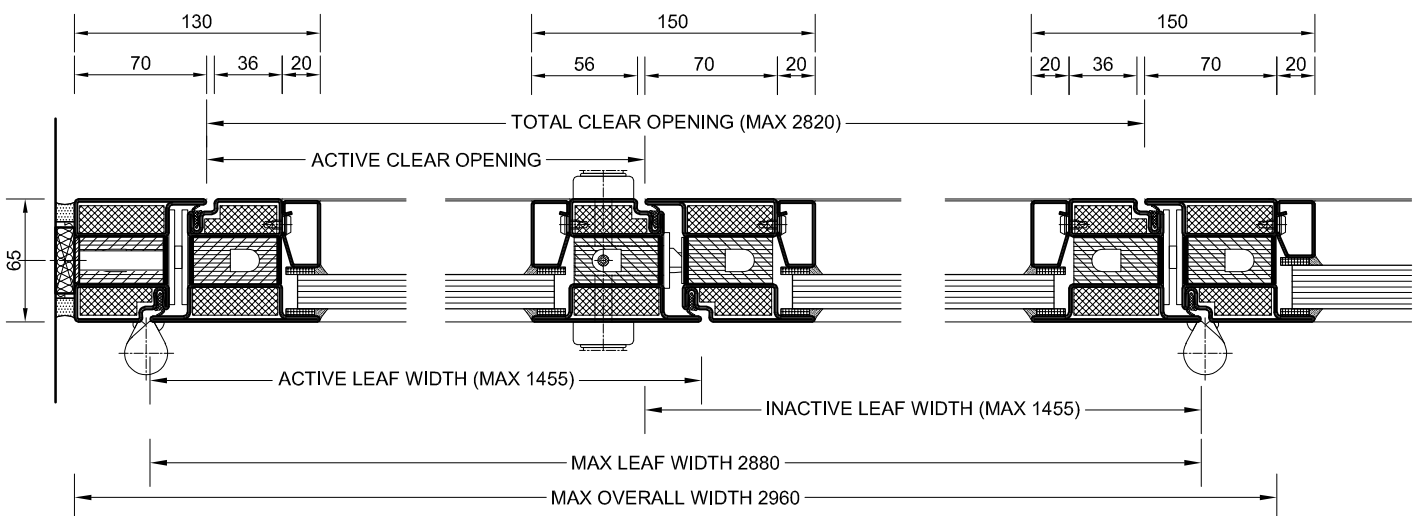
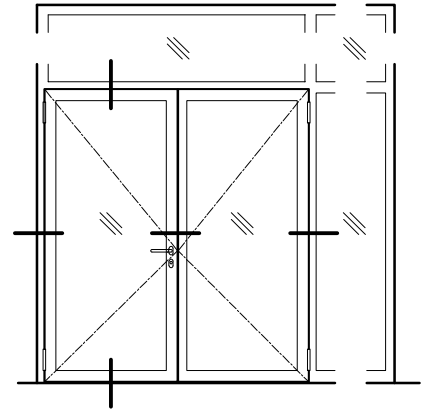


TYPICAL HORIZONTAL SECTION

## DOUBLE DOOR LEAF

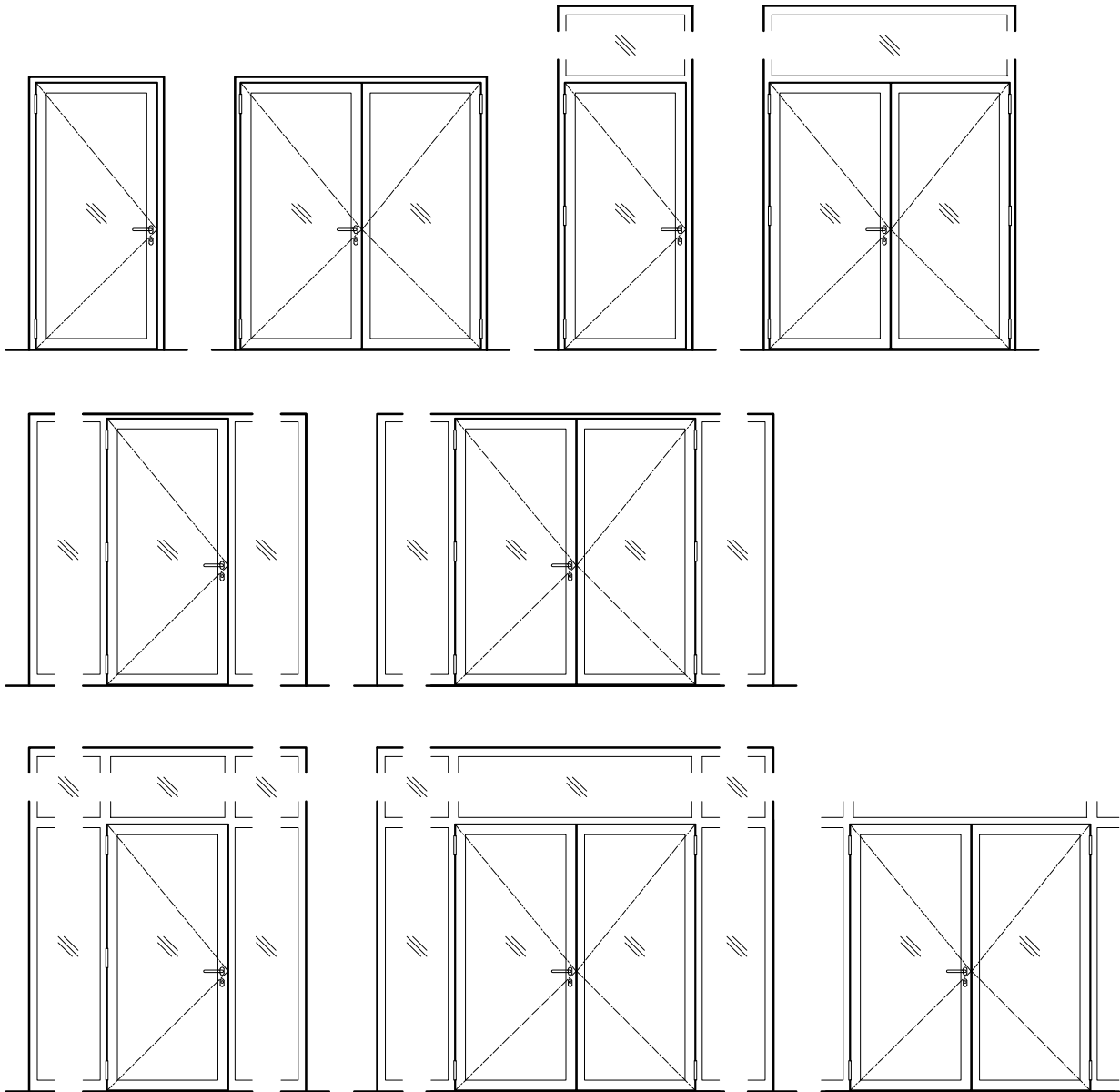


TYPICAL VERTICAL SECTION

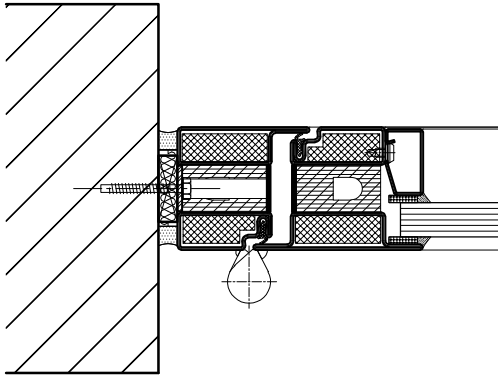


TYPICAL HORIZONTAL SECTION

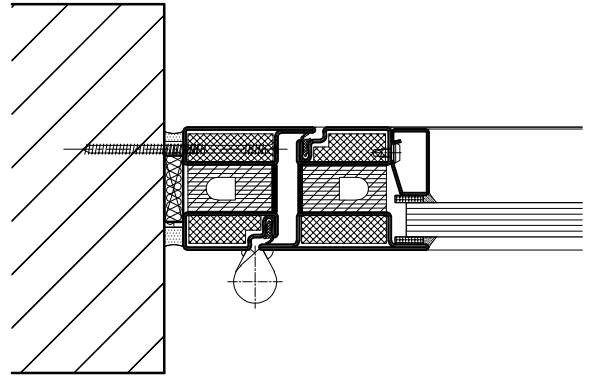
## TYPICAL CONFIGURATIONS



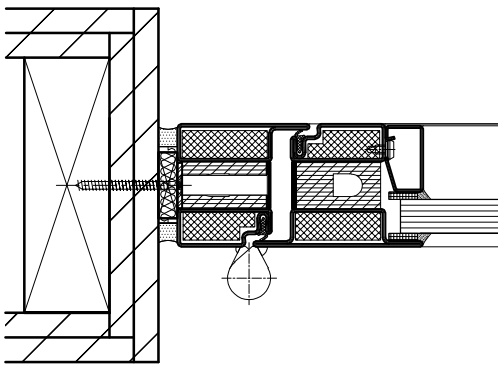
## WALL ABUTMENTS



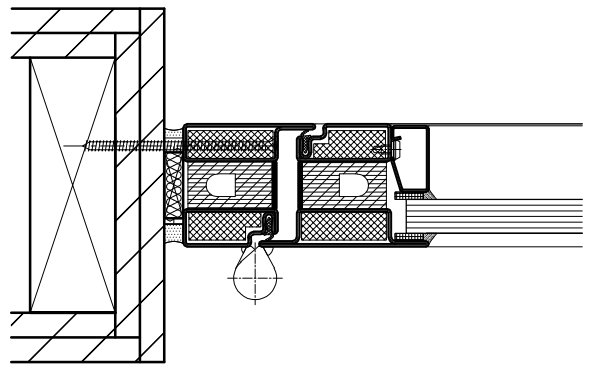
MASONRY WALL



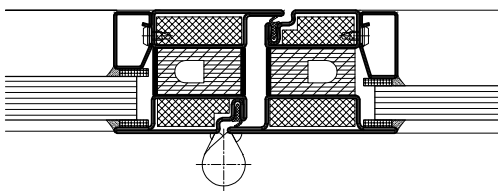
MASONRY WALL



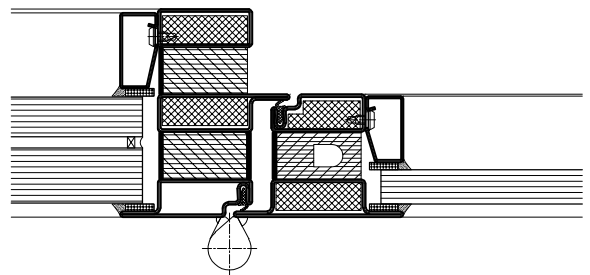
LIGHTWEIGHT FRAME WALL



LIGHTWEIGHT FRAME WALL



FRL -/60/60 GLAZED WALL



FRL -/90/90 GLAZED WALL  
FRL -/120/120 GLAZED WALL