



## TECHNICAL DATA

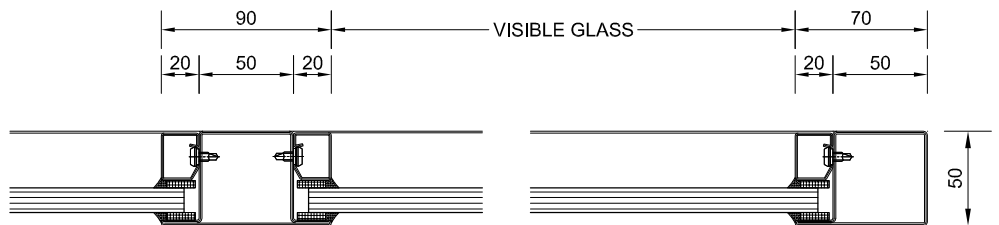
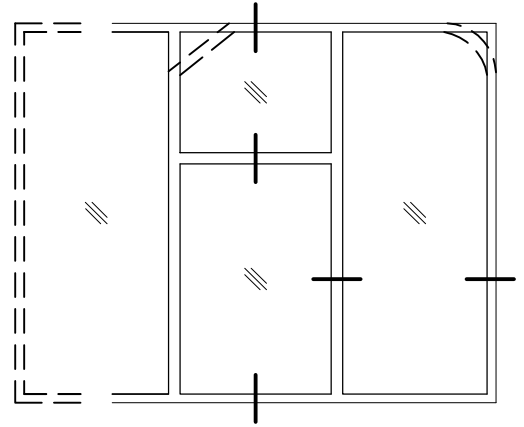
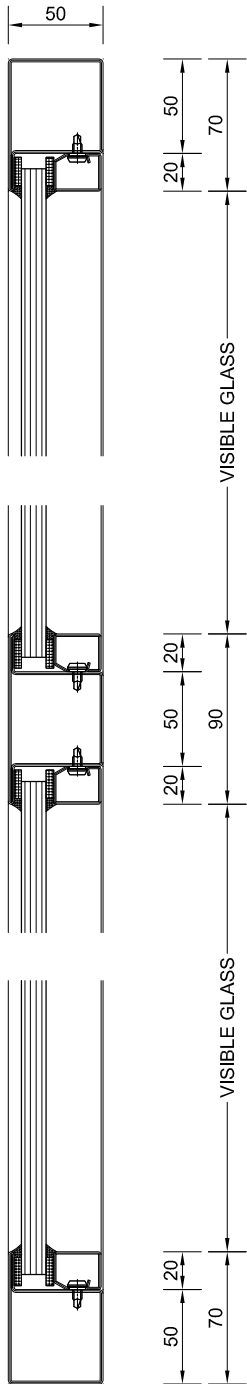
Glass type	Thickness (mm)	FRL	Application	Max visible glass dim (mm) H	Max visible glass dim (mm) W	Light Trans.	Ug (W/m2K)	SHGCg	Rw (C;Ctr) dB	Weight (Kg/m2)
RT S SZWQ 1/2 SQ	12	1/2 WQ	Pyrodur	1000	1000	YX	1.2	0.45	24	25
W TY RT S SZWQ 1/2 SQ	12	1/2 WQ	Pyrodur	1000	1000	XX	1.2	0.45	24	25
W TY RT S SZWQ 1/2 SQ	12	1/2 WQ	Pyrodur	1000	1000	XX	1.2	0.45	24	25
W TY RT S SZWQ 1/2 SQ	12	1/2 WQ	Pyrodur	1000	1000	XS	1.2	0.45	24	25
W TY RT S SZWQ 1/2 SQ	12	1/2 WQ	Pyrodur	1000	1000	TV	1.2	0.45	24	25

\* S O j A O z e A Z i e a U e O p e U U A A 1 o A % V R Q Q 1/2 S Q R Q Y q V Z o A A e o e B e e i e 1 e 1 A O o a U B Y

## HOW TO SPECIFY

% O O e B " p e u A e B e . j a 1 1 o Z O B j " " S Z 1/2 W Q - 1/2 j " O e B " o A A e o A Z A e O O A e 1 e z A e B j " O U U B e A B A B a z U Z A B p e u A e o , & e e u u o z j " 2 o B i A e O U B C e i e 1 e 1 e 1 i e z i A z e i s o A e B z B A A z o U B z u e o o o A e i " " U B o . a B A A A B o A e O j Y A A B e z B z i A z e i s o A e B z B A A z o U B z u s B o : B j A O j a O B i O A j A e O z e B A e i W B z i A z e i o o A e B z B A e A y z A e z y e a P Q T Z X S Q R Z T Q E A j A e B z i A z e i o o A e B z B A e A

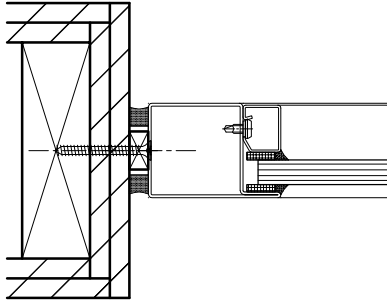
## TYPICAL SECTIONS



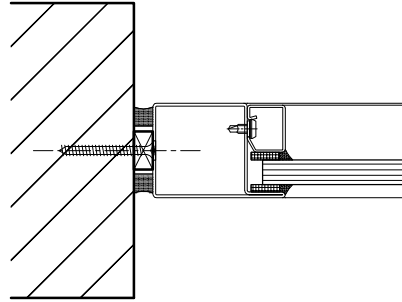
TYPICAL VERTICAL SECTION

TYPICAL HORIZONTAL SECTION

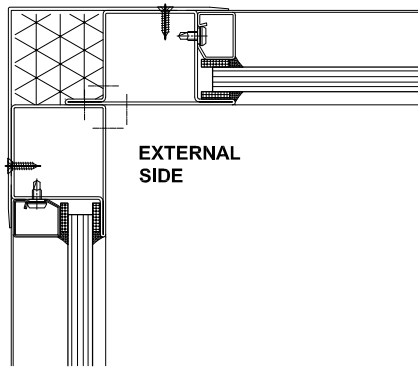
## TYPICAL WALL ABUTMENTS & GLAZING OPTIONS



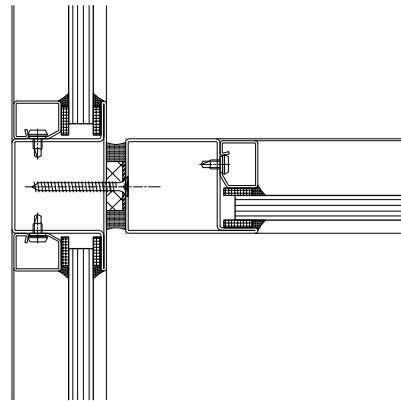
LIGHTWEIGHT FRAME WALL (FIXED PANEL)



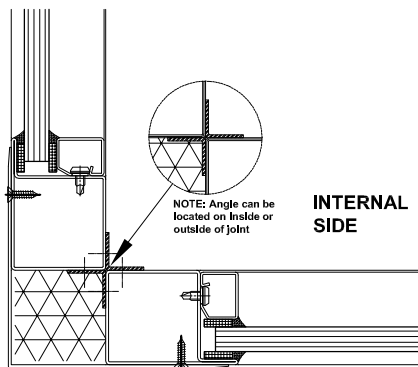
MASONRY WALL



TYPICAL (90°) CORNER



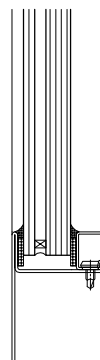
TYPICAL PERPENDICULAR JUNCTION



TYPICAL (90°) CORNER

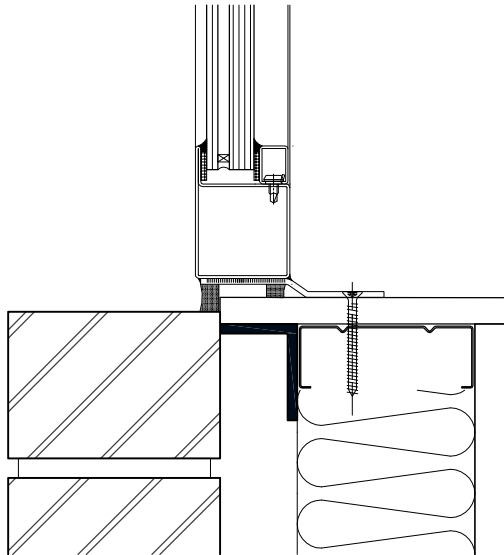
NOTE: Angle can be located on Inside or outside of joint

INTERNAL SIDE

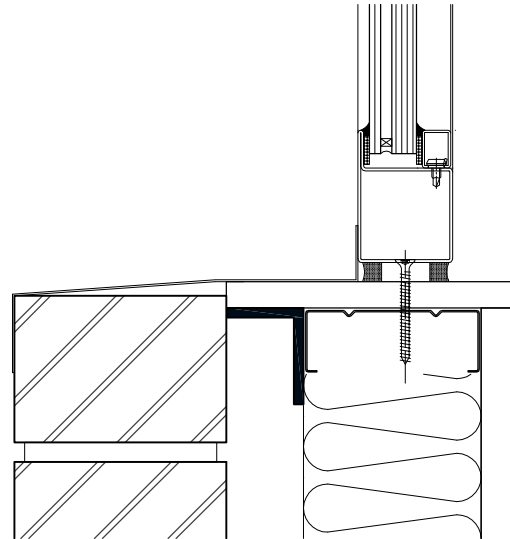


25mm (6/6air/13) IGU  
INTERNAL / EXTERNAL USE

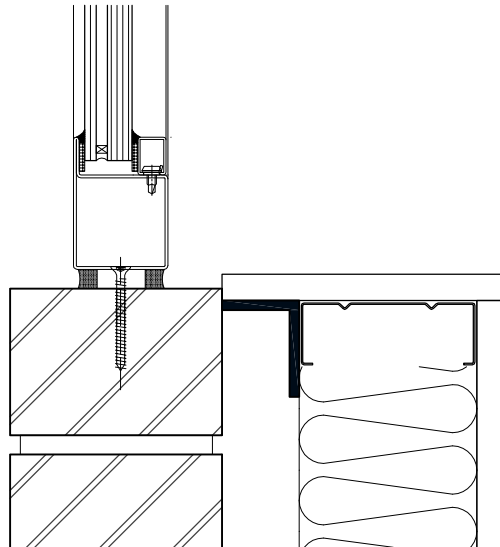
## TYPICAL WALL ABUTMENTS



**Brick Veneer with fire rated plaster**



**Brick Veneer with fire rated plaster**



**Brick Veneer**